

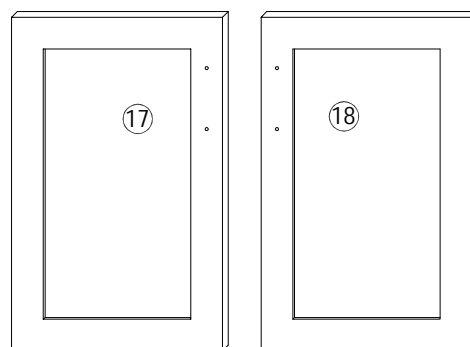
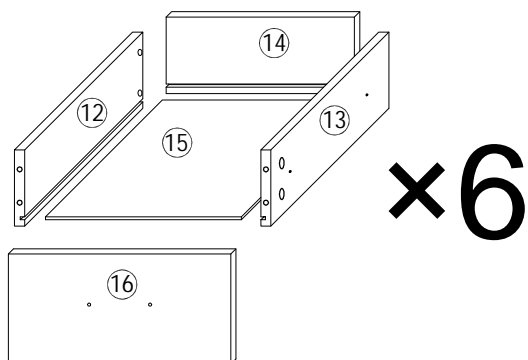
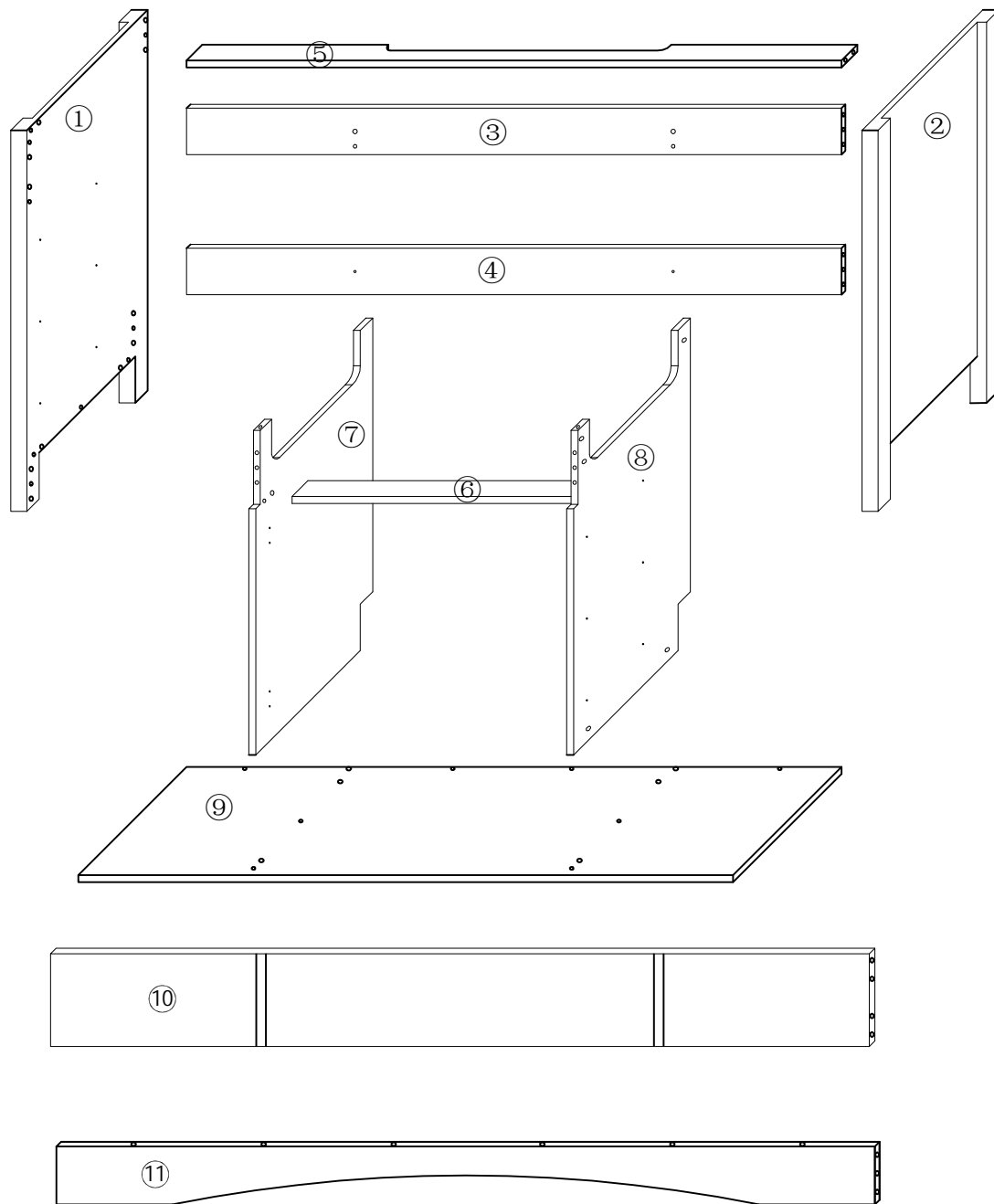
Model No:T1500F S






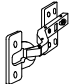





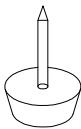


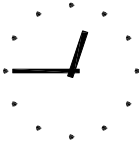



**THE LENNOX™
BATHROOM**

Ideas for life style

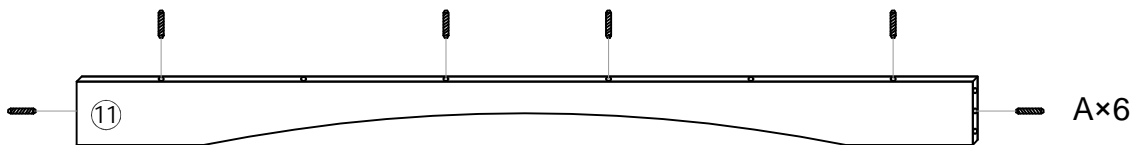
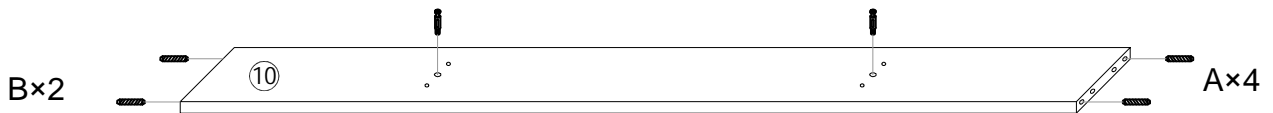
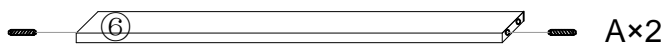
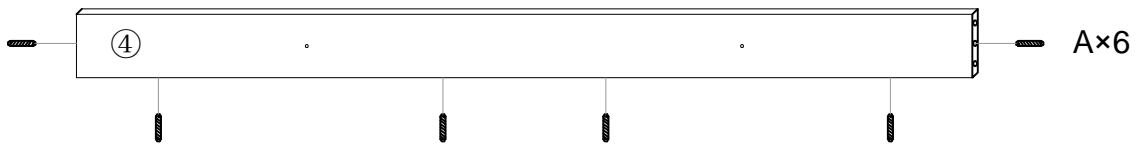
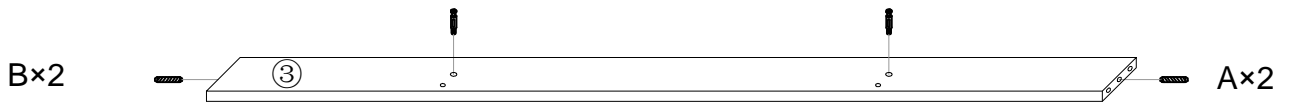
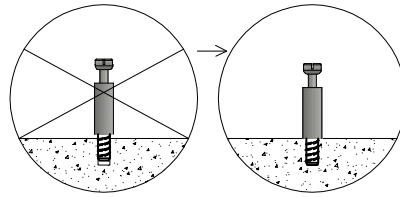
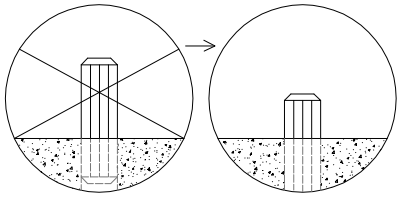
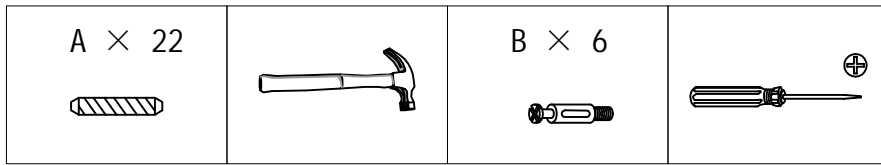
Auckland Ph:09 2710168 Hamilton Ph:07 8477722
Christchurch Ph:03 3488885 Dunedin Ph:03 4775885
branch Nelson Ph 03 35488858
Online Order: www.lennoxbathroom.nz



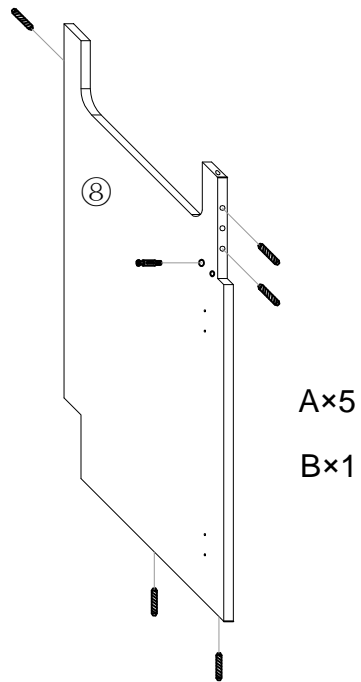
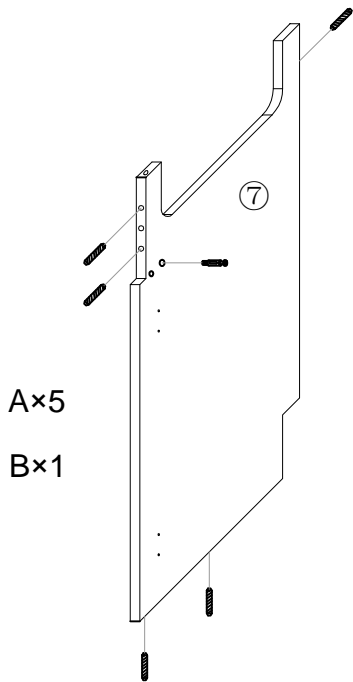
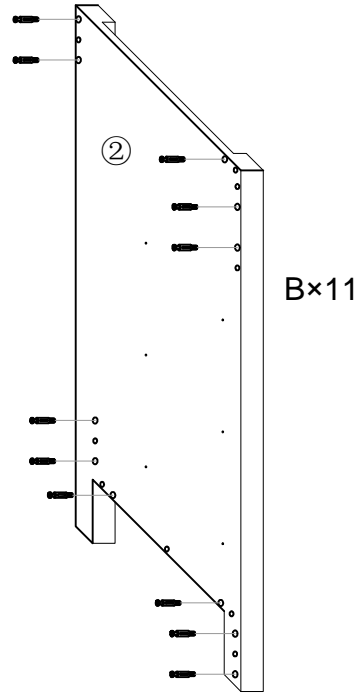
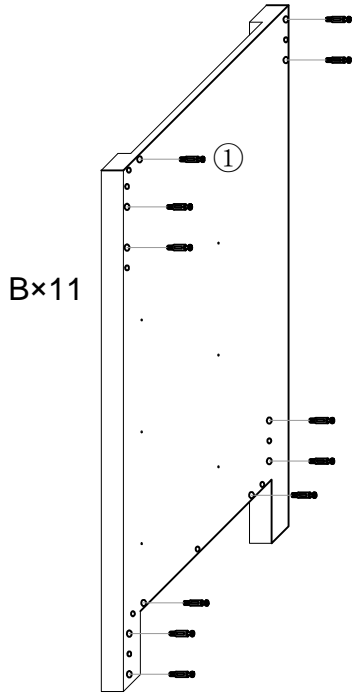
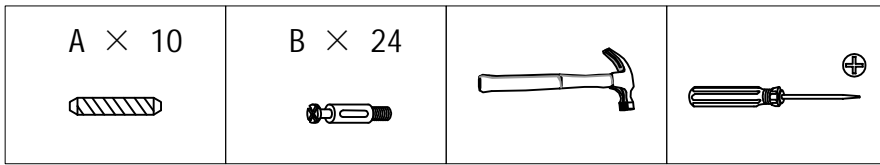
<p>A</p>  <p>$\phi 8 \times 30\text{mm}$ $\times 38$</p>	<p>B</p>  <p>$\times 86$</p>	<p>C</p>  <p>$\times 86$</p>	<p>D</p>  <p>$\times 86$</p>	<p>E</p>  <p>$M4 \times 14\text{mm}$ $\times 24$</p>	<p>F</p>  <p>$\times 4$</p>
<p>G</p>  <p>$M4 \times 12\text{mm}$ $\times 72$</p>	<p>H&I</p>  <p>$\times 12$</p>	<p>J</p>  <p>$M4 \times 22\text{mm}$ $\times 16$</p>	<p>K</p>  <p>$\times 8$</p>	<p>L</p>  <p>$M4 \times 30\text{mm}$ $\times 2$</p>	<p>M</p>  <p>$\times 4$</p>

<p>45min</p> 			<p>$\times 2$</p> 
--	---	---	--







1

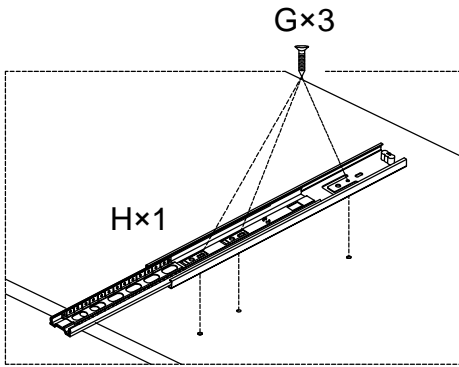
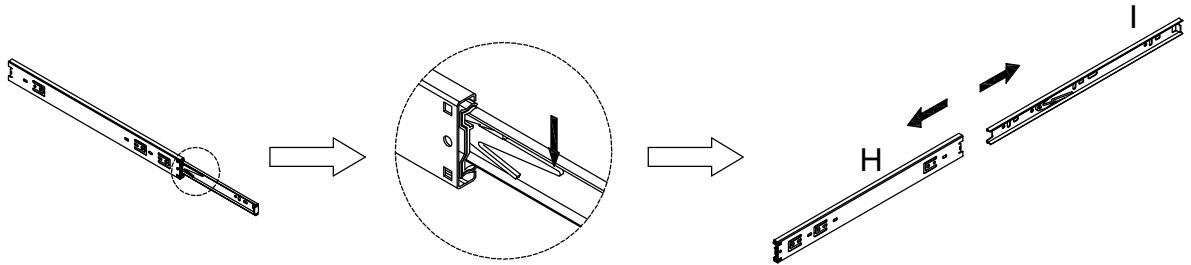


2

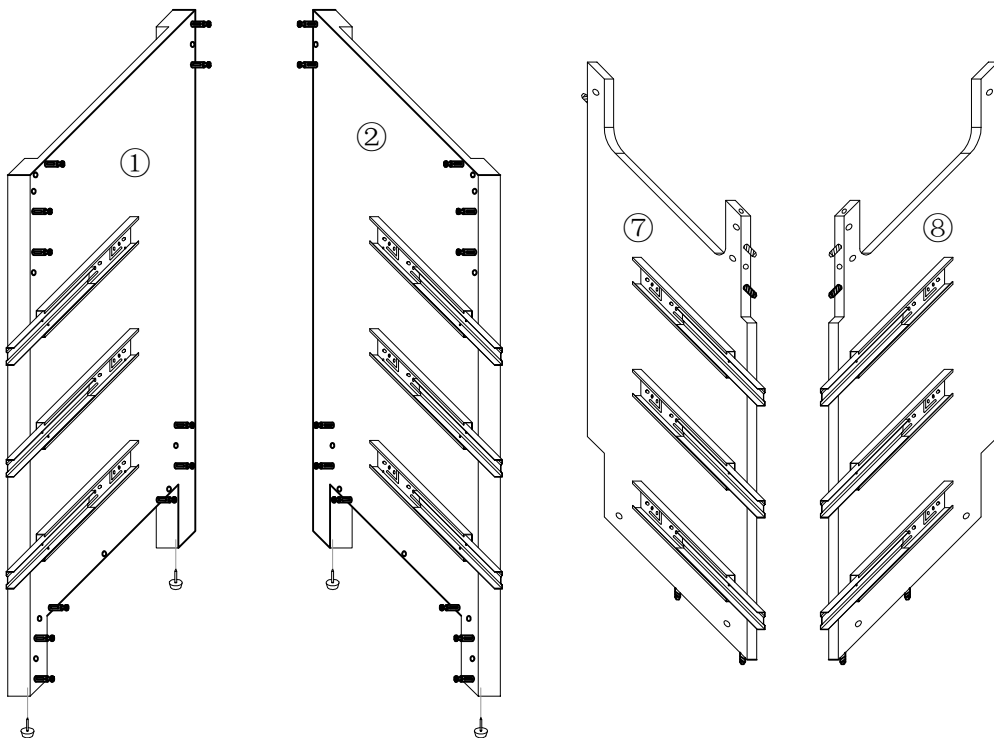


3

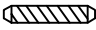




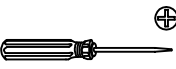
$H \& I \times 12$ 	$G \times 36$  $M4 \times 12\text{mm}$	$M \times 4$ 	 	
---	---	---	--	---

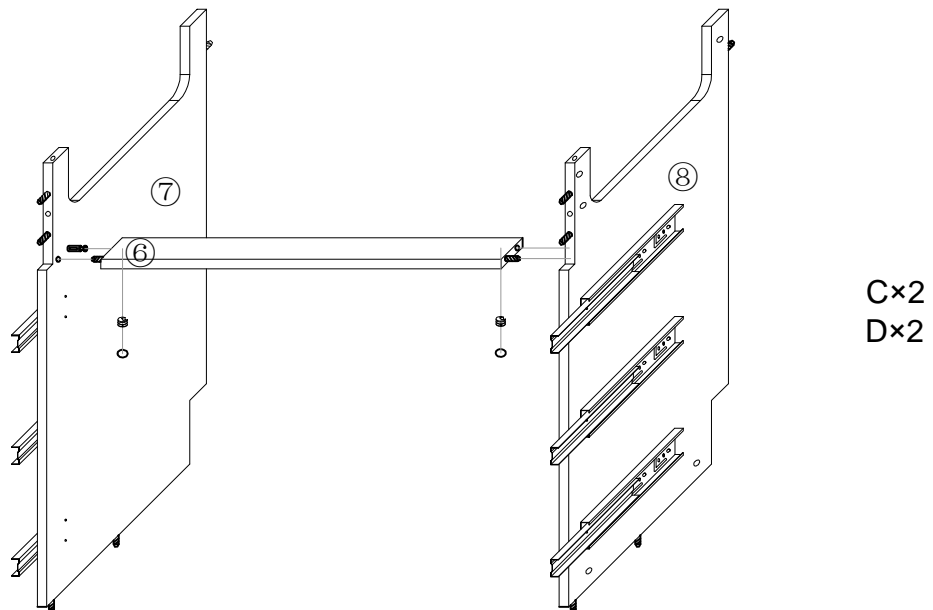
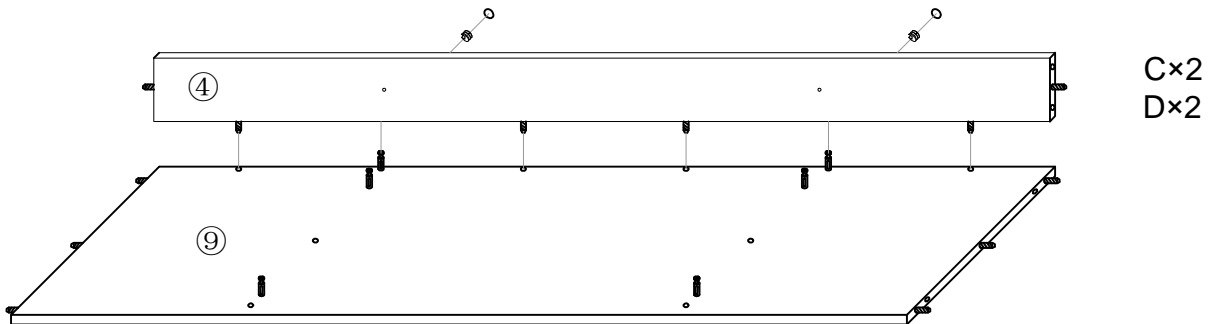
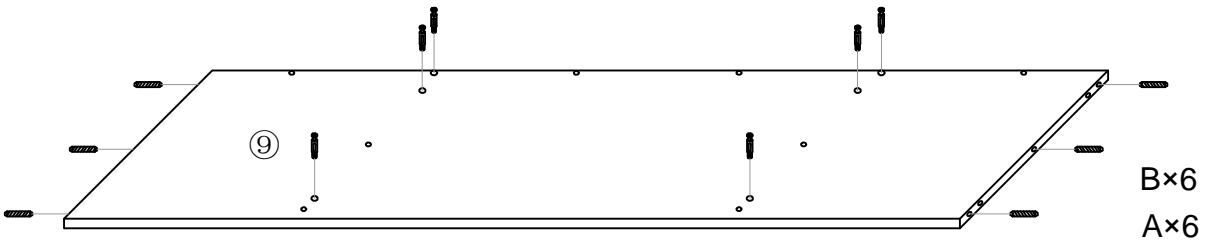


x12



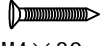
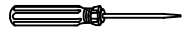


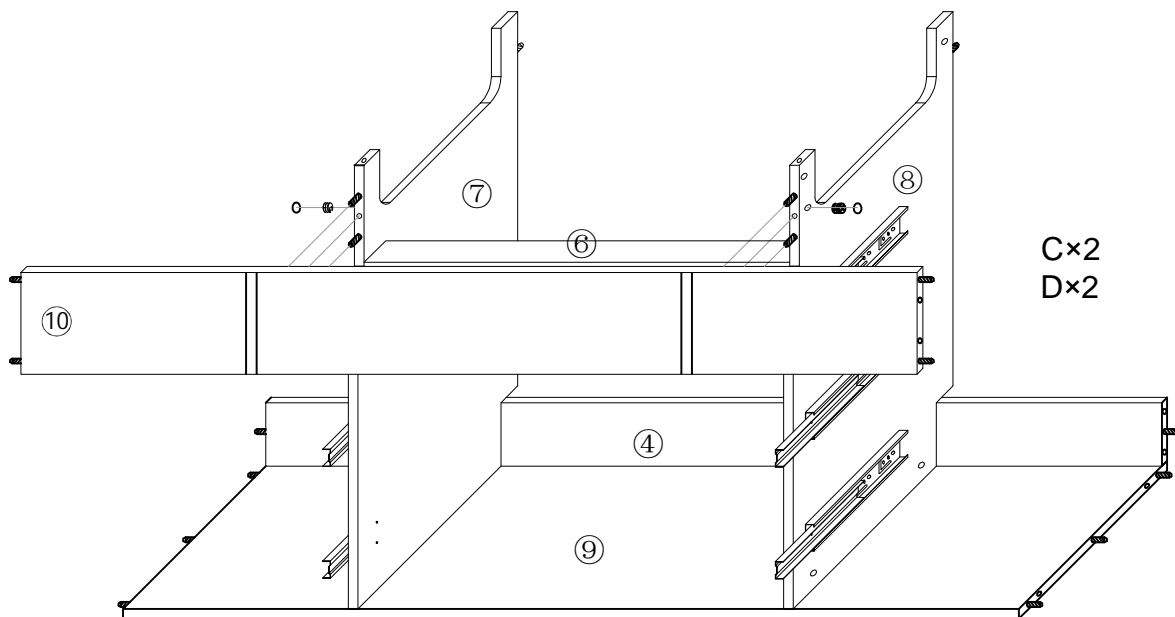
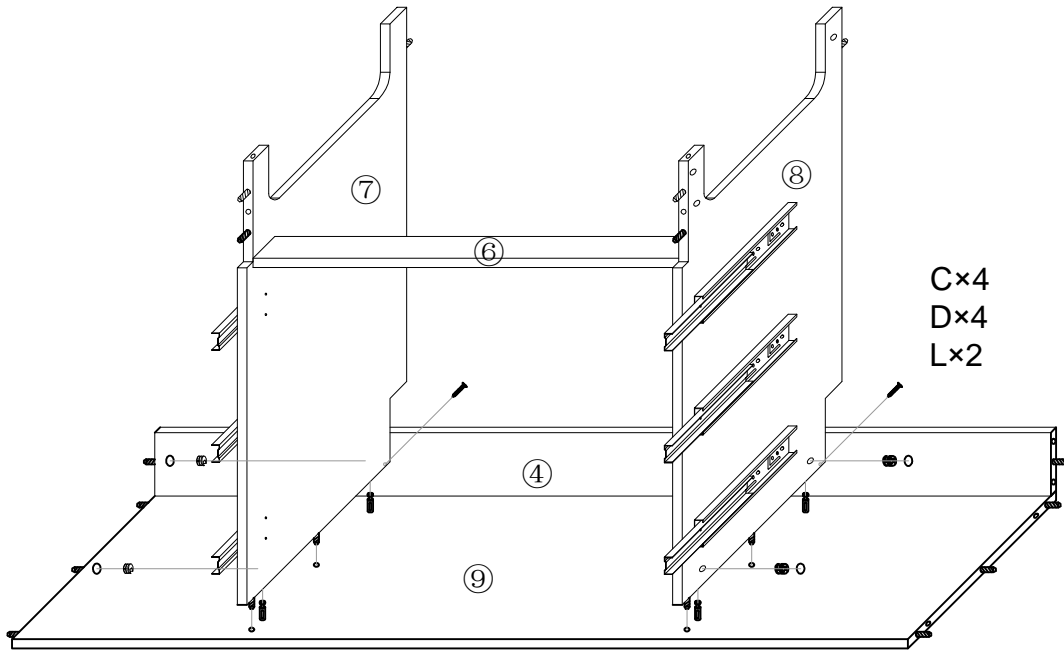
4

A × 6 	B × 6 	C × 4 	D × 4 		
--	--	--	---	---	---




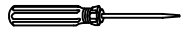


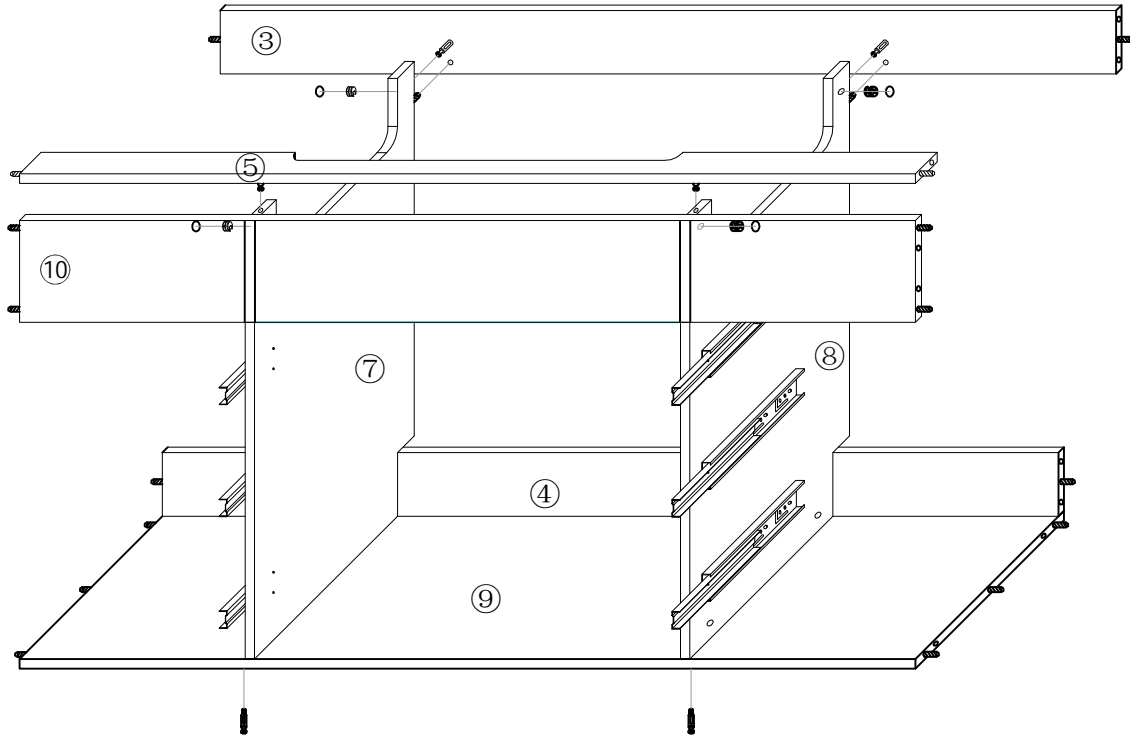
5

$C \times 6$ 	$D \times 6$ 	$L \times 2$  M4 × 30mm	
---	---	--	--

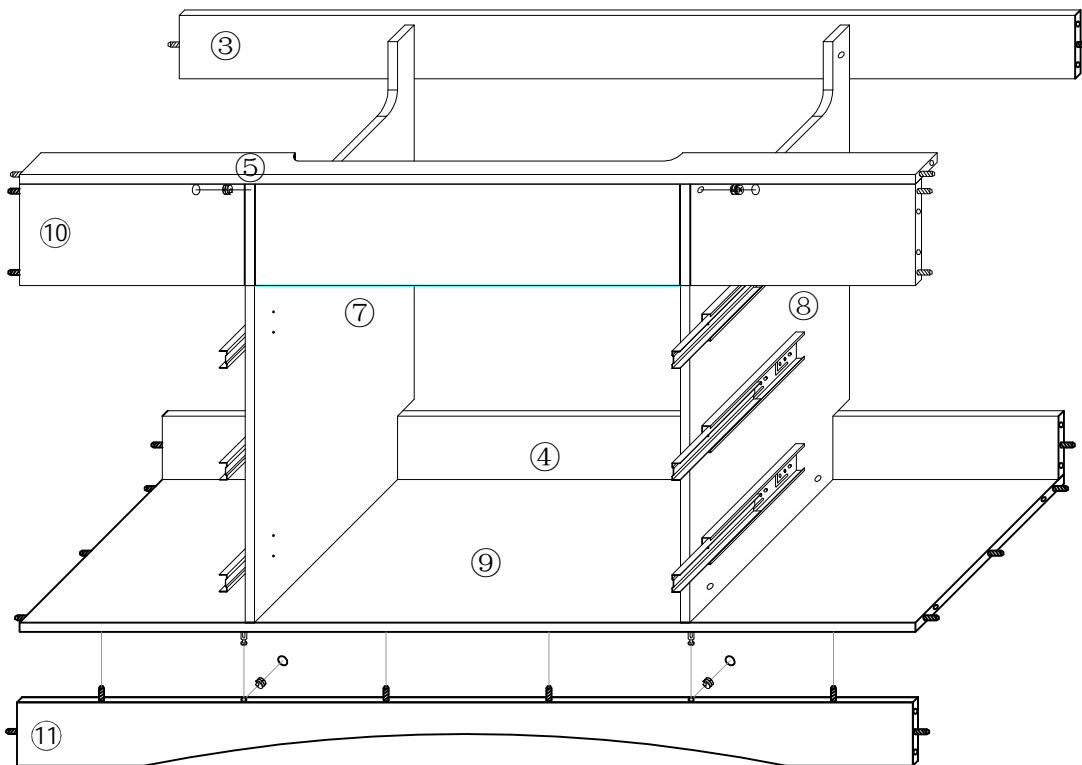


6

$C \times 6$ 	$D \times 6$ 	$B \times 2$ 	
---	---	---	--






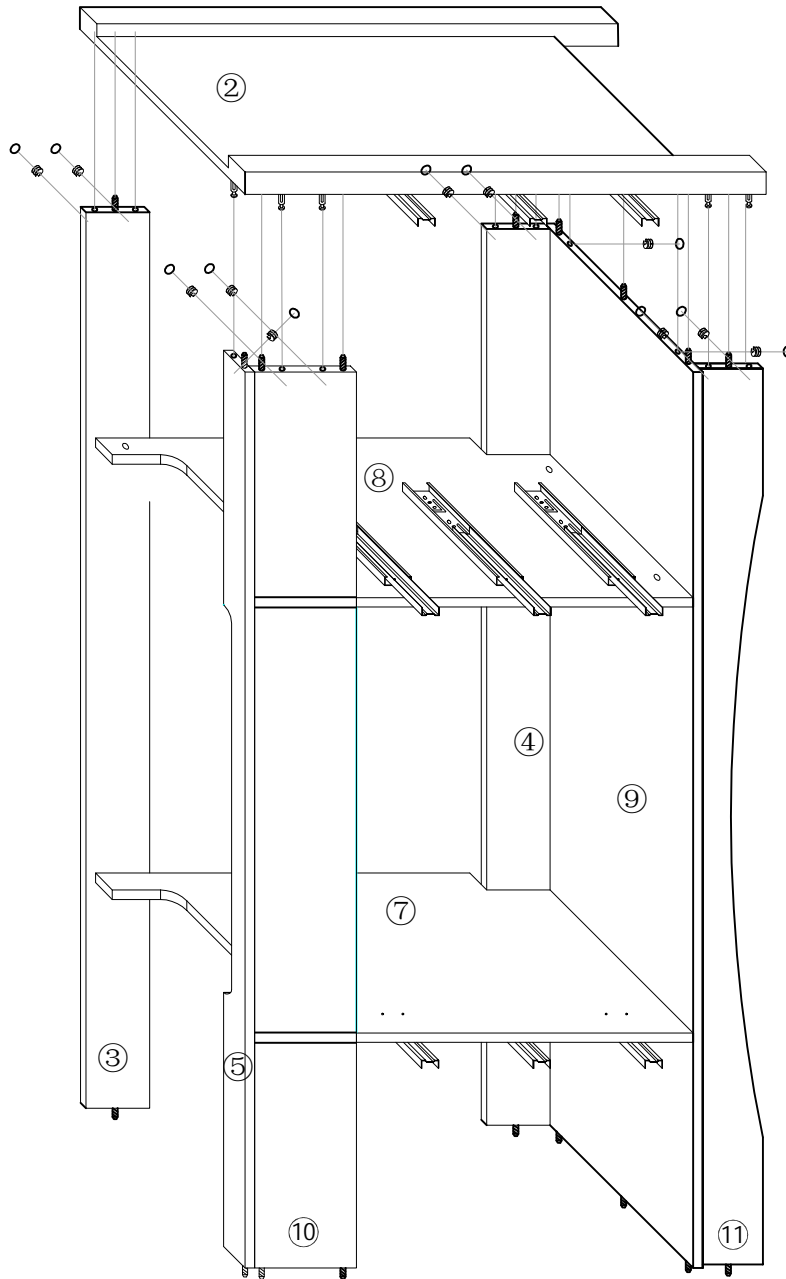
C×4
D×4
B×2






C×2
D×2

7

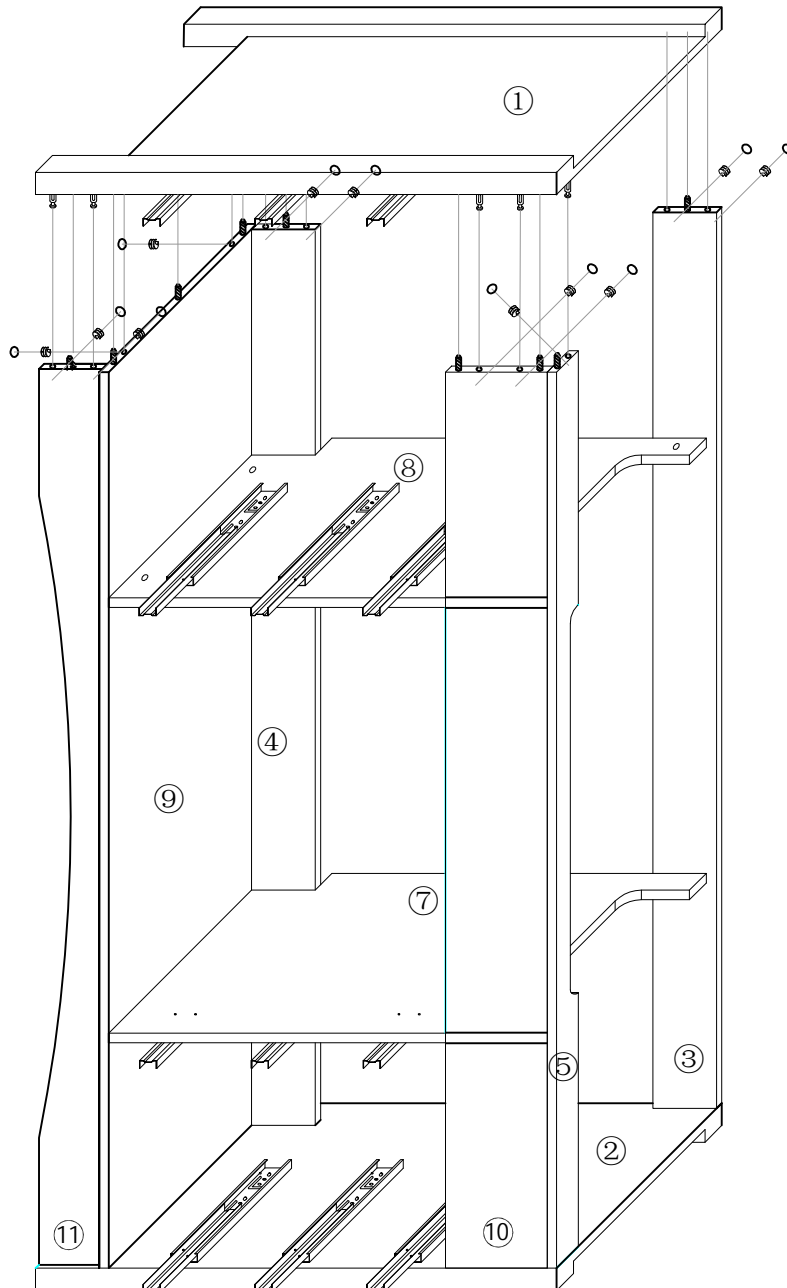
C × 11 	D × 11 	 ⊕
---	---	---







8

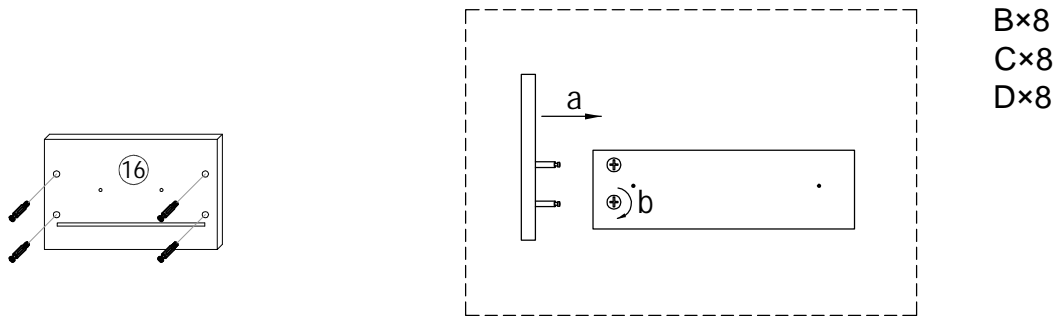
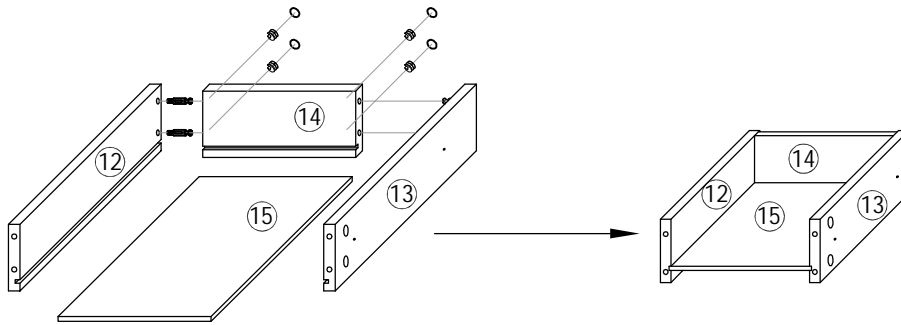
$C \times 11$ 	$D \times 11$ 	 ⊕
--	--	---

$C \times 11$
 $D \times 11$





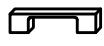

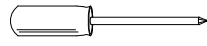
9

$C \times 48$ 	$D \times 48$ 	$B \times 48$ 	
--	--	--	--

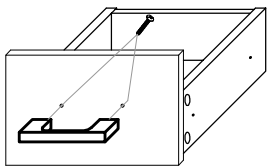


$\times 6$

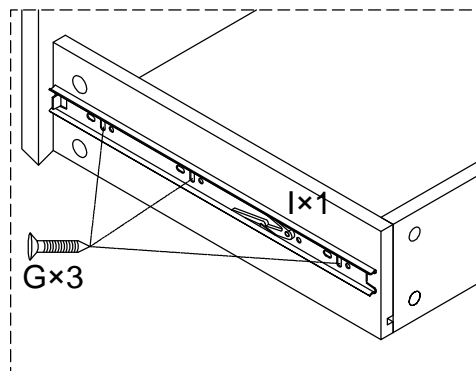
10

$I \times 12$ 	$G \times 36$ $M4 \times 12mm$ 	$K \times 6$ $M4 \times 22mm$ 	$J \times 12$ 	
--	--	---	--	---

$K \times 1$
 $J \times 2$

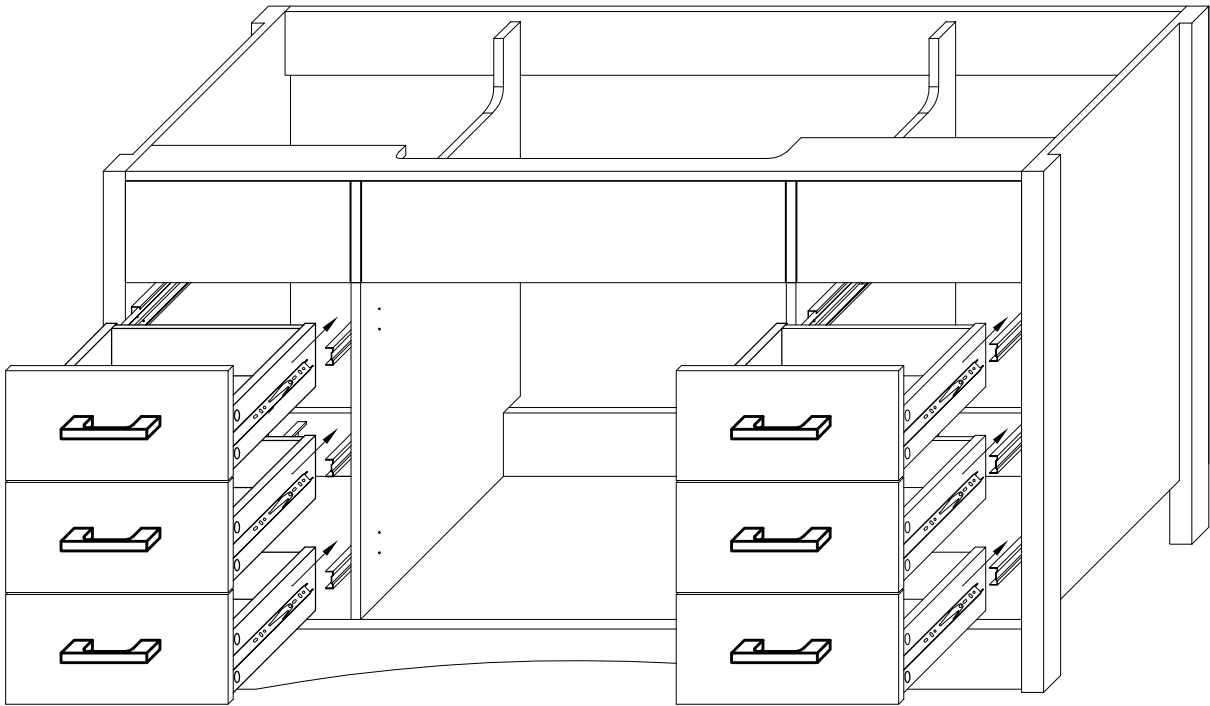


$\times 6$

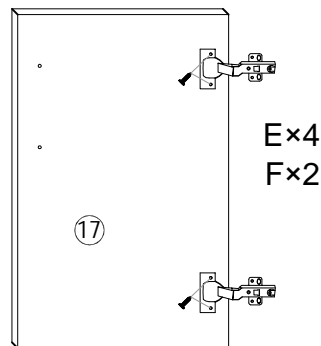
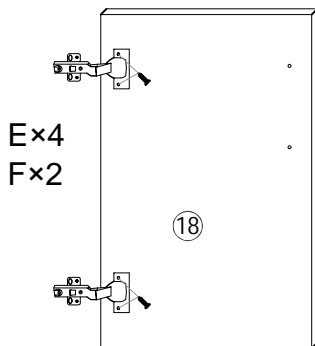
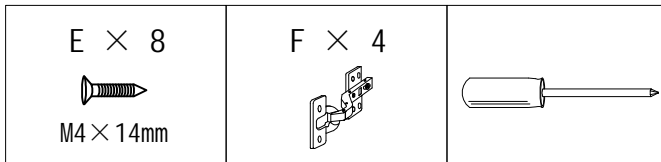


$\times 12$





11

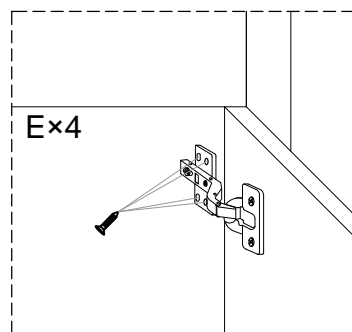
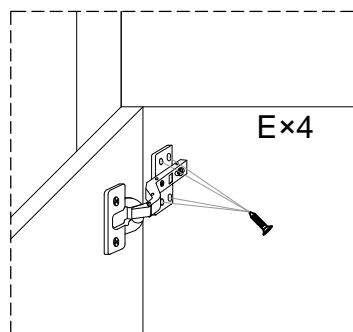


12

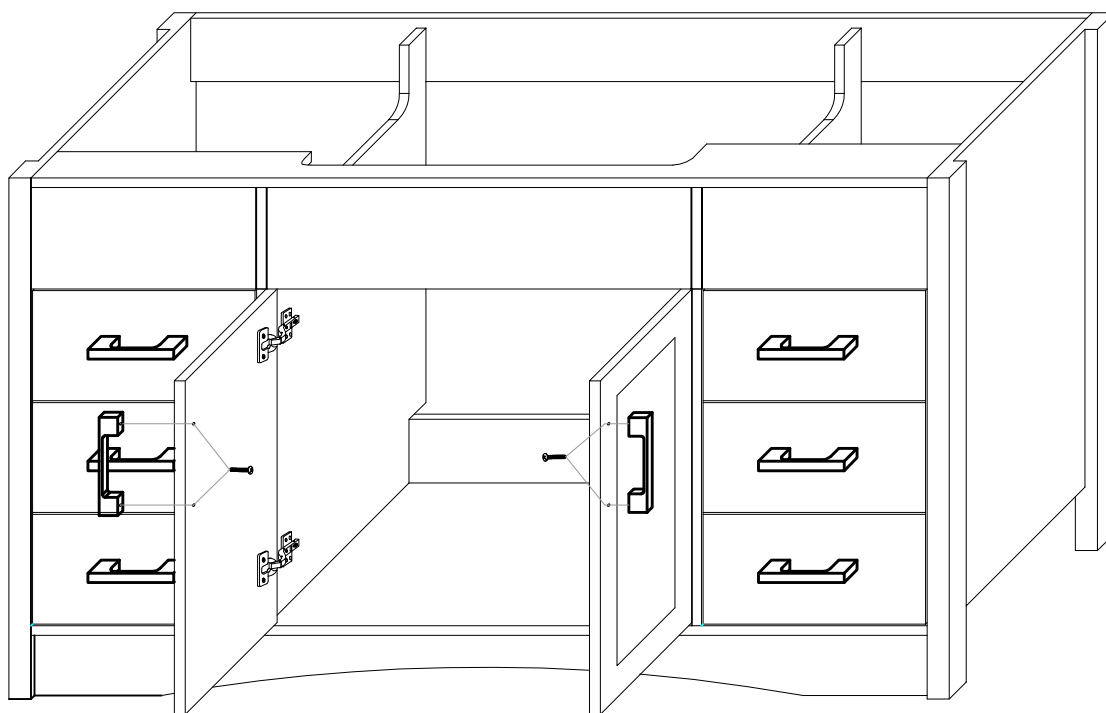


13

$E \times 16$  M4×14mm	$K \times 2$ 	$J \times 4$  M4×22mm	 ⊕
---	---	--	--



x2



14

